

TiQ Series *Modular 140*

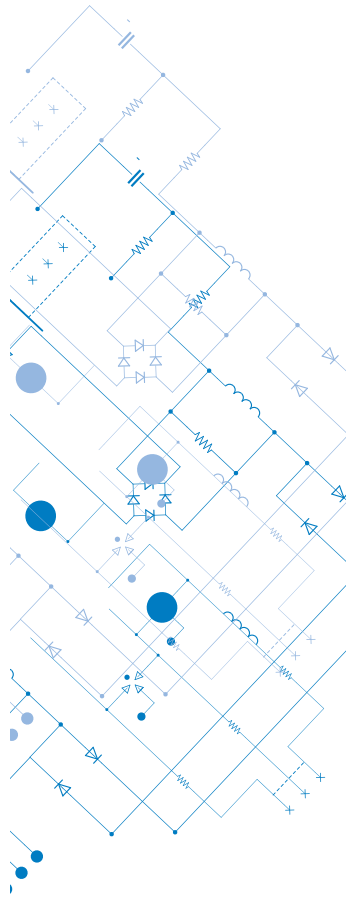
AC Surge Suppression Solutions

FEATURES

- Up to 200 kAIC rated
- Noise filtration up to -40 dB
- LEDs on modules verify protection status
- All modes L-N, L-L, L-G, and N-G protected
- 140 kA 8/20 μ s surge current capacity per phase

ACData's TiQ Series Modular 140 suppressors provide heavy-duty, pluggable AC Surge Suppression solutions. Able to withstand multiple hits over 100 kA without arcing, cold-welding, or deteriorating the contact system, the TiQ Series is revolutionizing modular surge suppression design and performance.

TiQ Series Modular 140 suppressors utilize robust metal oxide varistors (MOVs) to protect your sensitive electronic equipment from the devastating effects of transient voltage surges. Each phase includes an LED status indicator, allowing visual verification of protection status. LED "on" indicates suppressor is functional. LED "off" indicates suppressor or AC power failure.



Phone



TiQ Series requires no tools for module upgrade or replacement.



All ACData surge suppression products are subjected to rigorous testing standards at Ryan Labs™.

TiQ Series Modular 140

SUPPRESSION

Model Number	TIQ-4M-140FM	TIQ-2M-140FM	TIQ-7M-140FX
Operating Voltage	3 ϕ 208Y/120 4W+G 3 ϕ 220/127 4W+G	1 ϕ 120/240 3W+G 3 ϕ 220/127 3W+G	3 ϕ 480/277 4W+G
Max. Surge Capacity	140 kA 8/20 μ s per ϕ	140 kA 8/20 μ s per ϕ	140 kA 8/20 μ s per ϕ
Max. Surge Energy	2000 J/Mode	2000 J/Mode	3820 J/Mode
Sine Wave Tracking	Yes, Standard	Yes, Standard	Yes, Standard
EMI/RFI	-40 dB	-40 dB	-40 dB
Response Time	< 15 ns	< 15 ns	< 15 ns
Max. Continuous Over-Voltage (MCOV)	180 Vrms	180 Vrms	320 Vrms
Surge Suppression Rating (SVR)	500 L-N 500 N-G* 800 L-L	500 L-N 500 N-G* 800 L-L	700 L-N 700 N-G* 1500 L-L
Short Circuit Rating	200 kAIC	200 kAIC	10 kAIC

*Add -G at end of part number to include neutral ground option.

MECHANICAL

Enclosure Type	NEMA 4X
Operating Temperature	-20° C to +80° C
Weight	4.0 lbs. (1.81 kg)

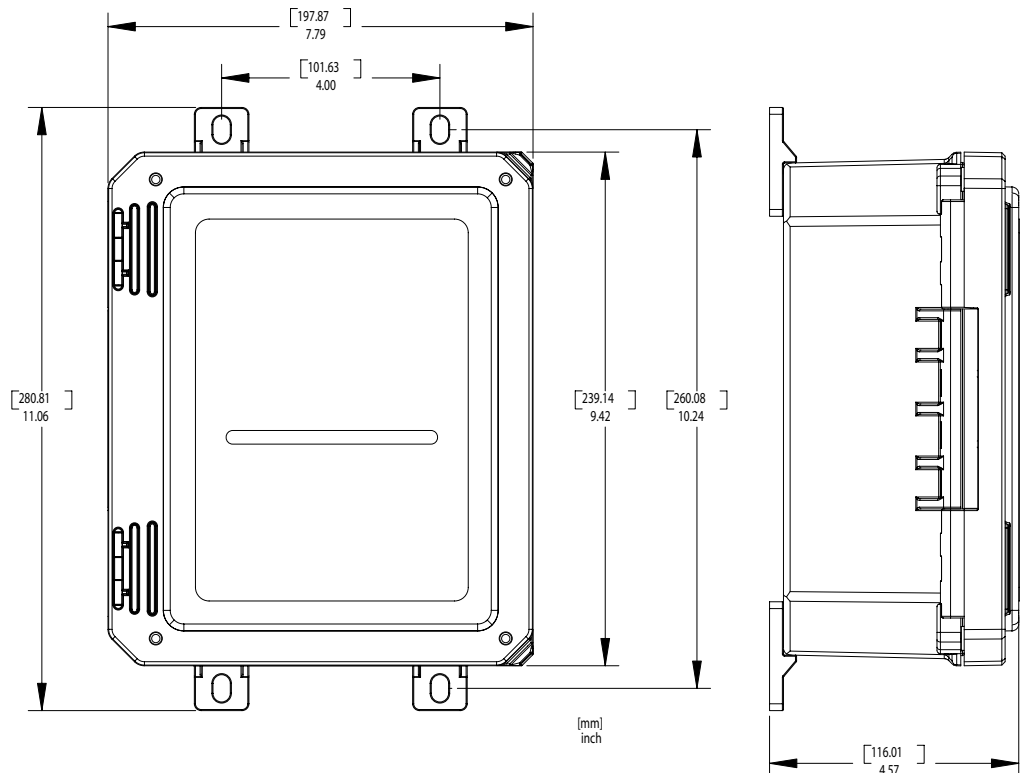
Replacement Modules

TR1xxA	Module Replacement for TIQ-4M and -2M Series, L-N Mode
TR1xxA-G	Module Replacement for TIQ-4M and -2M Series, N-G Mode
TR4xxA	Module Replacement for TIQ-7M, L-N Mode
TR4xxA-G	Module Replacement for TIQ-7M, N-G Mode



Zona Centro
52 (55) 5243 • 9127/28

www.summaa.com • www.capacitor.com.mx
ventas@summaa.com • summaa@summaa.com



ACData is dedicated to exceeding our customers' expectations by providing quality products, personal service, and responsiveness through communication, responsibility, teamwork and innovation. We are committed to complete customer service through a comprehensive warranty plan, 24 hour customer care, and complete engineering support.